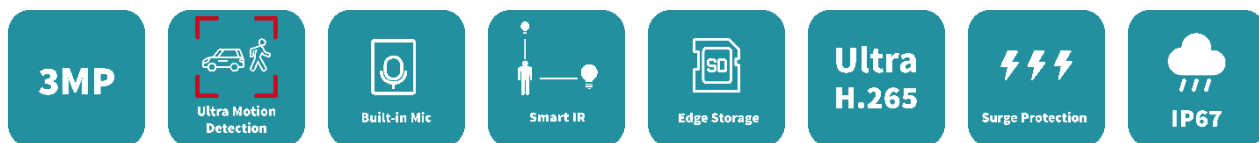


# 3MP HD Outdoor Bullet Wi-Fi Camera

Uho-B2D-M3F3(4)D



## Key Features



- High quality image with 3MP, 1/3.0" CMOS sensor and F1.6 aperture lens
- 3MP (2304\*1296)@25/20fps; 2MP (1920\*1080)@30/25fps; 720P (1280\*720)@30/25fps
- Ultra 265, H.265, H.264, MJPEG
- Built-in Mic
- Built-in Speaker
- Smart IR, up to 20m (66ft) IR distance
- Warm Light, up to 10m (33ft) warm light distance
- Support Dual Light mode, switch between IR and warm lights when the preset is triggered.
- Support 128 G Micro SD card
- Wi-Fi connection and easy installation
- IP67 protection
- 3-Axis

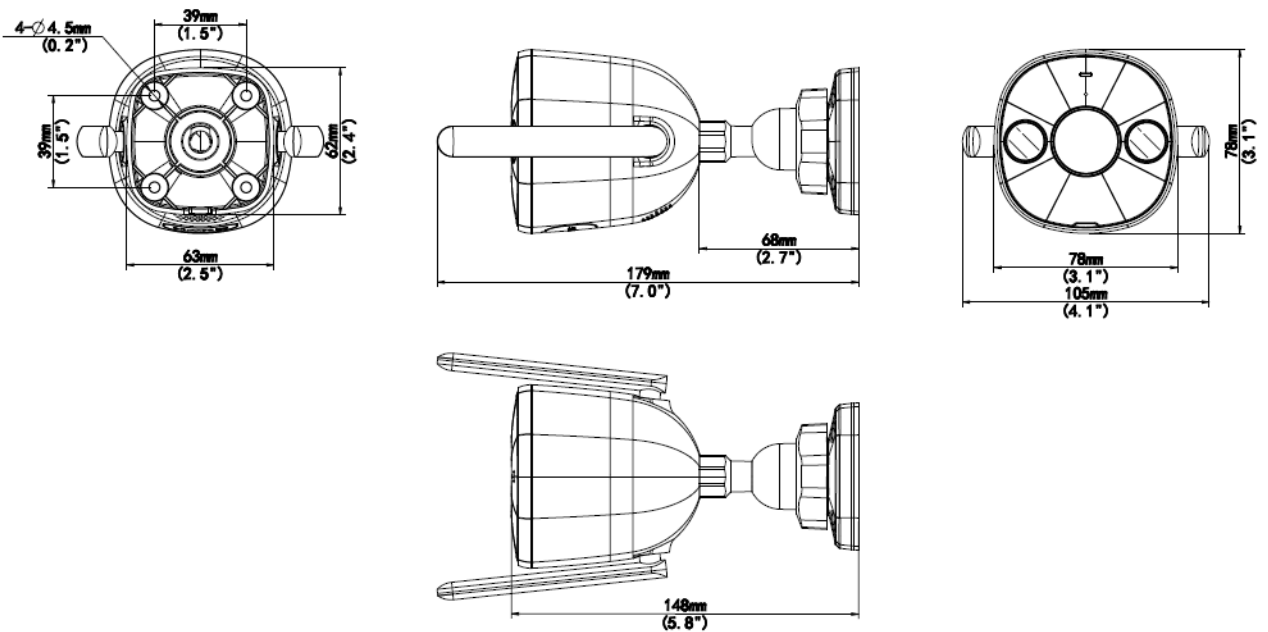
## Specifications

|                         | Uho-B2D-M3F3D  | Uho-B2D-M3F4D |                 |              |             |
|-------------------------|--|---------------|-----------------|--------------|-------------|
| <b>Camera</b>           |  |               |                 |              |             |
| Sensor                  | 1/3.0", 3.0 megapixel, progressive scan, CMOS  |               |                 |              |             |
| Minimum Illumination    | Colour: 0.003 lux (F1.6 AGC ON)<br>0 lux with IR on  |               |                 |              |             |
| Day/Night               | IR-cut filter with auto switch (ICR)   |               |                 |              |             |
| Shutter                 | Auto/Manual, 1 ~ 1/100000s   |               |                 |              |             |
| Adjustment angle        | Pan: 0°~360°   | Tilt: 0°~90°  | Rotate: 0°~360° |              |             |
| S/N                     | >52dB  |               |                 |              |             |
| WDR                     | DWDR   |               |                 |              |             |
| <b>Lens</b>             |  |               |                 |              |             |
| Lens Type               | 2.8mm@F1.6   | 4.0mm@F1.6    |                 |              |             |
| Iris                    | Fixed  |               |                 |              |             |
| Field of View (H)       | 97.5°  | 80.2°         |                 |              |             |
| Field of View (V)       | 52.9°  | 42.9°         |                 |              |             |
| Field of View (D)       | 108.0°   | 86.0°         |                 |              |             |
| <b>DORI</b>             |  |               |                 |              |             |
| DORI Distance           | Lens   | Detect(m)     | Observe(m)      | Recognize(m) | Identify(m) |
|                         | 2.8mm  | 46.7          | 18.7            | 9.3          | 4.7         |
|                         | 4.0mm  | 66.7          | 26.7            | 13.3         | 6.7         |
| <b>Illuminator</b>      |  |               |                 |              |             |
| IR Range                | Up to 20m (66ft)   |               |                 |              |             |
| Warm Light Range        | Up to 10m (33ft)   |               |                 |              |             |
| Wavelength              | 850nm  |               |                 |              |             |
| IR On/Off Control       | Auto/Manual  |               |                 |              |             |
| <b>Video</b>            |  |               |                 |              |             |
| Video Compression       | Ultra 265, H.265, H.264, MJPEG   |               |                 |              |             |
| H.264 code profile      | Baseline profile, Main profile, High profile   |               |                 |              |             |
| Frame Rate              | Main Stream: 3MP (2304*1296), Max 25fps; 1080P (1920*1080), Max 30fps; 720P (1280*720), Max 30fps;<br>Sub Stream: 640*360, Max 30fps; 2CIF(704*288), Max 30fps; CIF(352*288), Max 30fps; |               |                 |              |             |
| Video Bit Rate          | 128 Kbps~6 Mbps  |               |                 |              |             |
| U-code                  | Support  |               |                 |              |             |
| OSD                     | Up to 4 OSDs   |               |                 |              |             |
| Privacy Mask            | Up to 4 areas  |               |                 |              |             |
| ROI                     | Up to 8 areas  |               |                 |              |             |
| Video stream            | Dual streams   |               |                 |              |             |
| <b>Image</b>            |  |               |                 |              |             |
| White Balance           | Auto/Outdoor/Fine Tune/Sodium Lamp/Locked/Auto2  |               |                 |              |             |
| Digital Noise Reduction | 2D/3D DNR  |               |                 |              |             |
| Smart IR                | Support  |               |                 |              |             |
| Flip                    | Normal/Vertical/Horizontal/180°  |               |                 |              |             |
| Dewarping               | N/A  |               |                 |              |             |

|                        |  |
|------------------------|--|
| HLC                    | N/A  |
| BLC                    | N/A  |
| Defog                  | Digital Defog  |
| Events                 |  |
| Basic Detection        | Motion detection, Ultra motion detection, Audio detection, Tampering alarm   |
| General Function       | IP address filtering, Access policy, ARP protection, RTSP authentication, User authentication, HTTP authentication |
| Audio                  |  |
| Audio Compression      | G.711U, G.711A   |
| Audio Bitrate          | 64 Kbps  |
| Two-way Audio          | Support  |
| Suppression            | Support  |
| Sampling Rate          | 8KHZ   |
| Storage                |  |
| Edge Storage           | Micro SD, up to 128GB  |
| Network Storage        | ANR  |
| Network                |  |
| Wi-Fi                  | 2.4G Wi-Fi (IEEE802.11b/g/n), built-in antenna   |
| Protocols              | IPv4, TCP, UDP, DHCP, RTSP, DNS, DDNS, NTP, HTTP   |
| Compatible Integration | API , SDK  |
| User/Host              | Up to 6 users. 2 user levels: administrator and common user  |
| Client                 | Uniarch Client<br>Uniarch APP  |
| Web Browser            | Plug-in required live view: IE 10 and above, Chrome 45 and above, Firefox 52 and above, Edge 79 and above          |
|                        | Plug-in free live view: Chrome 57.0 and above, Firefox 58.0 and above, Edge 16 and above                           |
| Interface              |  |
| Audio I/O              | N/A  |
| Alarm I/O              | N/A  |
| Built-in Mic           | Support  |
| Built-in Speaker       | Support  |
| WIFI                   | Support  |
| Network                | 1 * RJ45 10M/100M Base-TX Ethernet   |
| Video Output           | N/A  |
| Certifications         |  |
| EMC                    | CE EMC (EN 55032,EN 61000-3-3,EN IEC 61000-3-2,EN 55035)<br>FCC (FCC 47 CFR part15 B)                              |
| RF                     | FCC ID (FCC CFR 47 part15 C)<br>CE RED (EN 301 489-1, EN 301 489-17, EN 300 328, EN 62311)                         |
| Safety                 | CE LVD (EN 62368-1)  |
| Environment            | CE-RoHS (2011/65/EU;(EU)2015/863); WEEE (2012/19/EU)   |
| Protection             | IP67 (IEC 60529)   |
| General                |  |
| Power                  | DC 12V±25%   |
|                        | Power consumption: Max 5.7W  |
| Power Interface        | Ø 5.5mm coaxial power plug   |

|                        |   |
|------------------------|---|
| Dimensions (L x W x H) | 148 × 78 × 78mm (5.8" × 3.1" × 3.1")                          |
| Weight                 | 0.31 kg (0.68 lb)   |
| Material               | Metal + Plastic   |
| Working Environment    | -30°C~60°C(-22°F ~ 140°F), Humidity: ≤95% RH (non-condensing) |
| Storage Environment    | -30°C~60°C(-22°F ~ 140°F), Humidity: ≤95% RH (non-condensing) |
| Surge Protection       | 4KV   |
| Reset Button           | Support   |
| LED indicator          | 1, red/blue   |

## Dimensions



## Accessories

TR-UP06-B-IN

Pole Mount



TR-JB05-A-IN

Junction Box



TR-UP06-C-IN

Pole Mount



TR-A01-IN

Waterproof Joint



\*Product specifications and availability are subject to change without notice.